

Spojení rezistorů

Úloha 1

$$R_1 = 10\ \Omega$$

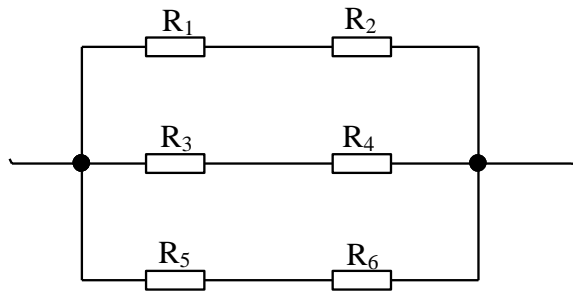
$$R_2 = 20\ \Omega$$

$$R_3 = 10\ \Omega$$

$$R_4 = 30\ \Omega$$

$$R_5 = 25\ \Omega$$

$$R_6 = 5\ \Omega$$



Úloha 2

$$R_1 = 10\ \Omega$$

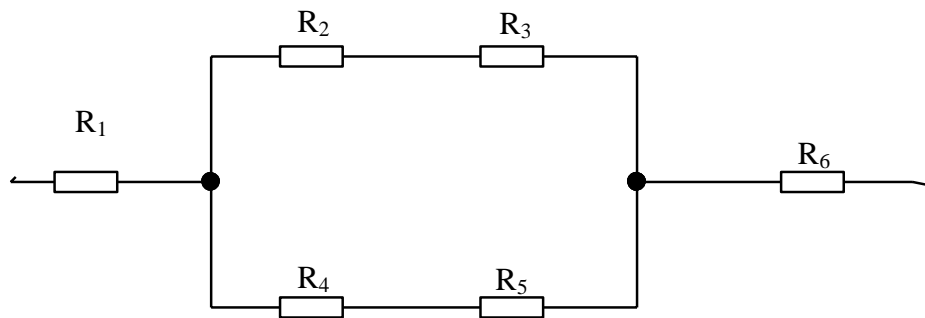
$$R_2 = 20\ \Omega$$

$$R_3 = 10\ \Omega$$

$$R_4 = 30\ \Omega$$

$$R_5 = 25\ \Omega$$

$$R_6 = 5\ \Omega$$



Úloha 3

$$R_1 = 10\ \Omega$$

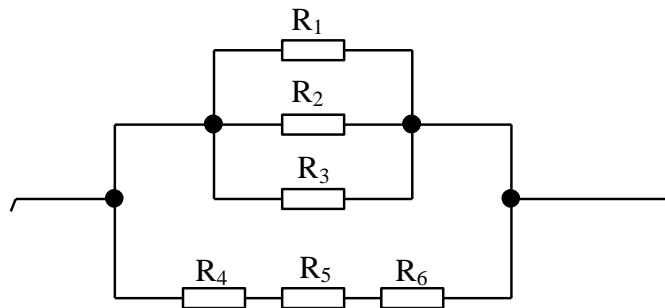
$$R_2 = 20\ \Omega$$

$$R_3 = 10\ \Omega$$

$$R_4 = 30\ \Omega$$

$$R_5 = 25\ \Omega$$

$$R_6 = 5\ \Omega$$



Úloha 4

$$R_1 = 10\ \Omega$$

$$R_2 = 20\ \Omega$$

$$R_3 = 10\ \Omega$$

$$R_4 = 30\ \Omega$$

$$R_5 = 25\ \Omega$$

$$R_6 = 5\ \Omega$$

